

eurodib

ECOBLAST620



Experience fast, efficient cooling with Eurodib's EcoBlast 620 Blast Chiller. Designed to accommodate larger quantities of food while maintaining rapid cooling capabilities, this refrigerator enables high-volume commercial kitchens to meet demanding production needs without compromising on quality.

FEATURES

- Large capacity to accommodate large quantities of food.
- Powerful cooling system for rapid temperature reduction.
- Intuitive controls for easy operation.
- Designed to withstand intensive use in demanding kitchen environments.
- Ideal for large restaurants, catering services and institutional kitchens.

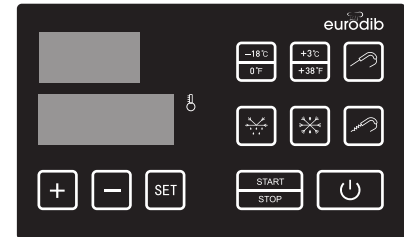


PARTS AND
LABOR



FOR
COMPRESSOR

LED CONTROL PANEL



SPECIFICATIONS

Power: 110 - 120 V, 1350 W, 12.5 A, 5-15P

Refrigerated Power:
5118 BTU/hr, 1300 W

Refrigerant gas: R290

Chamber dimensions:
Length: 25.5" (64 cm)
Width: 16" (40 cm)
Height: 41" (104 cm)


Tray capacity: 10 trays
Length: 12.8" (32 cm)
Width: 20.8" (52 cm)
Height: 2.6" (6 cm)

Total volume capacity: 9.7 ft³ (276 L)

Chilling capacity: 197 °F to 37 °F
(90 °C to 3 °C) = 88 lb (40 kg) 90 mins

Freezing capacity: 197 °F to 0 °F
(90 °C to -18 °C) = 77 lb (35 kg)
240 min.

Dimensions:
Length: 29.5" (74 cm)
Width: 31" (78 cm)
Height: 61.5" (156 cm)

Connection: 
(110 V)

Net weight: 276 lb (125 kg)

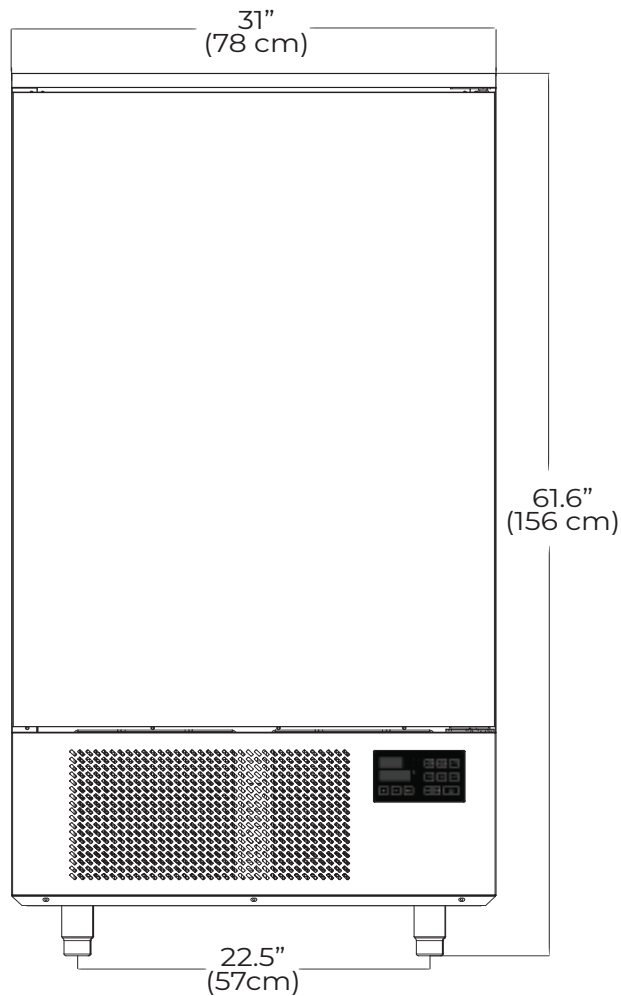
Included accessories

- 10 trays

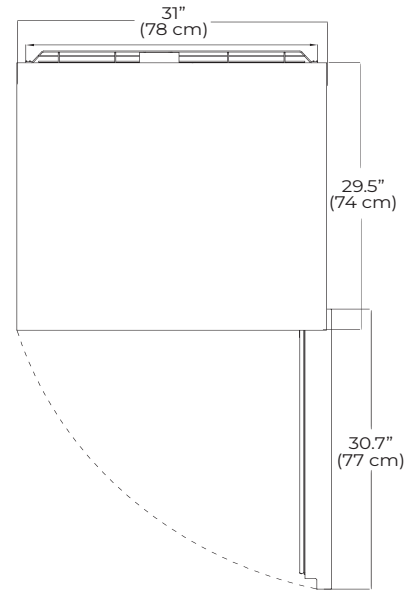


eurodib ECOBLAST620

FRONTAL VIEW



TOP VIEW



LEFT VIEW

