

# lamber®

## DSP4DPS



Designed for compact professional kitchens, this dishwasher keeps service running smoothly with the capacity to handle up to 30 racks per hour. Its soft-start system helps reduce detergent and water consumption, ensuring efficient, consistent cleaning throughout the busiest shifts.

### FEATURES

- Quick 2-minute cycle wash helping to keep up with service in high demand service periods.
- Built-in drain pump enables flexible installations where direct gravity drainage is not available.
- Thermostatic control system maintains the selected wash and rinse temperatures throughout every cycle.
- Features like automatic tank loading, soft start, and integrated soap and rinse pumps reduce manual steps, freeing staff to focus on other tasks.



PARTS AND  
LABOR



### SPECIFICATIONS

Power: 3550 W – 208 V – 1 PH –  
60 Hz – 17 A

Clearance: 12.6" (32 cm)

Rack dimensions:  
19.6" x 19.6" (50 cm x 50 cm)

Work height: 15.3" (38 cm)

Tank capacity: 4 gal (15 L)

Wash cycle duration: 2 min.

Wash cycle capacity: 30 baskets/h

Water consumption: 0.6 gal (2 L)

Electric pump: 550 W

Wash tank element: 2000 W

Rinse tank element: 3000 W

Boiler capacity: 1.32 gal (5 L)

Water inlet temperature:  
131 ÷ 140 °F (55 ÷ 60 °C)

Water inlet connection: 3/4" G

Water outlet connection 32 mm/3/4"

Inlet water pressure: 40 ÷ 80 psi

Water hardness: 7.2 ÷ 12.5 °F (-13 ÷ -10 °C)

Rinse temperature:  
180 ÷ 195 °F (82 ÷ 90 °C)

Noise level: < 70 dB (A)

Dimensions:

Length: 25.6" (65 cm)

Width: 23.7" (60 cm)

Height: 32.2" (81 cm)

Connection:



(208 V)

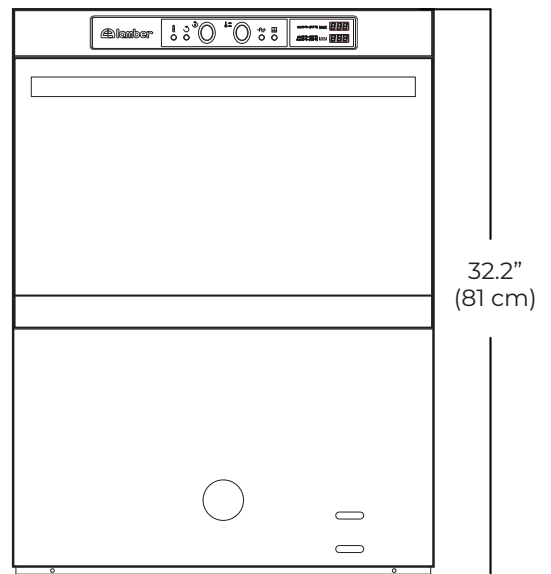
Net weight: 136 lb (62 kg)

### Included accessories

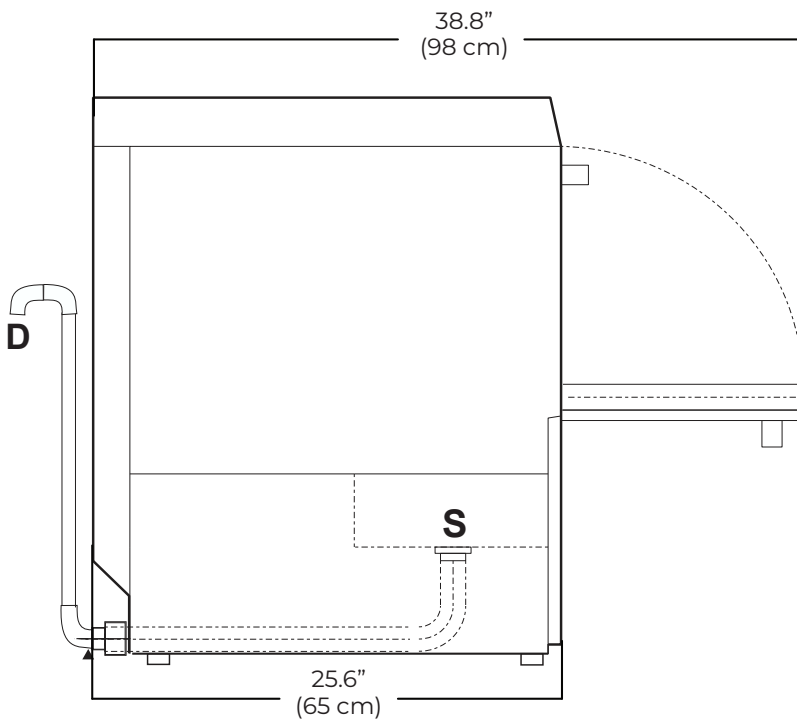
- 2 baskets for glasses
- 1 sourcers insert
- 2 cutlery containers



**FRONTAL VIEW**



**LEFT VIEW**



**D** - Drain system: Separate drain pump lifts up to 24" (61 cm) above floor level.

**TOP VIEW**

