

lamber[®]

F99EKDPS



The latest model features a soft-start system that helps reduce detergent and water consumption for cleaner and more efficient wash cycles. Its increased clearance accommodates larger dishes while maintaining a compact under counter design to save space in any kitchen.

FEATURES

- Double-rack design boosts productivity, allowing to wash plates and glasses in the same cycle.
- Built-in drain pump enables flexible installations where direct gravity drainage is not available.
- Soft start, soap and rinse pumps and automatic tank loading features work together to keep each cycle running smoothly.
- Self-washing slanted tank and removable control panel make routine maintenance quick and effortless.



PARTS AND
LABOUR

SPECIFICATIONS

Power: 6500 W – 208 V – 1 PH –
60 Hz – 29 A

Clearance: 14.5" (36 cm)

Basket size:

19.6" x 19.6" (50 cm x 50 cm)

Tank capacity: 4.7 gal (17 L)

Wash cycles: 2 – 3 – 4 min

Wash capacity: 30/20/15 baskets/h

Water consumption: 0.6 gal (2.2 L)

Electric pump: 650 W

Wash tank element: 2000 W

Rinse tank element: 6000 W

Boiler capacity: 1.5 gal (5 L)

Water inlet temperature:
131 ÷ 140 °F (55 ÷ 60 °C)

Water inlet connection: 3/4"

Water outlet connection:
32 mm/3/4"

Inlet water pressure: 40 ÷ 80 psi

Water hardness:
7.2 ÷ 12.55 °F (44 ÷ 54 °C)

Rinse temperature:
180 ÷ 195 °F (82 ÷ 90 °C)

Noise level: < 54 dB (A)

Dimensions:

Length: 25.5" (65 cm)

Width: 23.6" (60 cm)

Height: 32.2" (82 cm)

Connection:



(208 V)

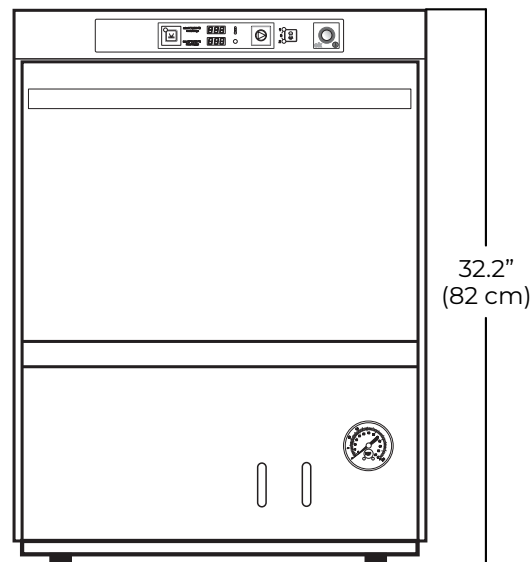
Net weight: 158 lb (72 kg)

Included accessories

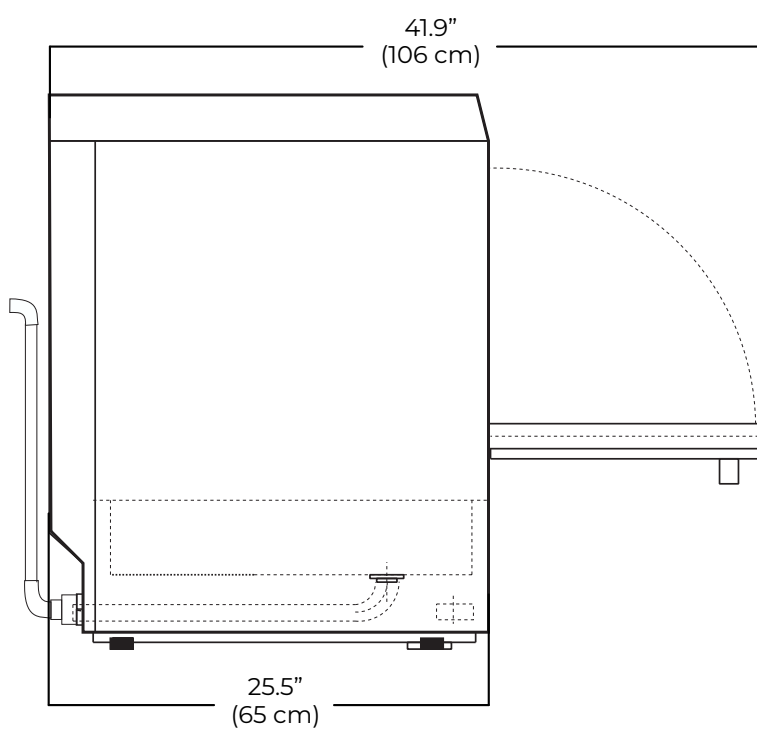
- 2 baskets for glasses
- 1 sourcers insert
- 2 cutlery containers



FRONTAL VIEW



LEFT VIEW



TOP VIEW

