

**RESOLUTE**  
ICE SYSTEMS



# IB445



Keep ice ready and easily accessible with the Resolute ice bin IB445, designed to provide reliable and hygienic storage in busy kitchens. This insulated bin can preserve 445 pounds of ice thanks to its sturdy stainless steel and ABS plastic construction.

## FEATURES

- Adjustable legs to ensure easy and leveled placement.
- Equipped with scoop holder to support hygienic ice handling.
- Compatible with Resolute modular machines to streamline ice service.



PARTS AND  
SERVICE

## SPECIFICATIONS

Storage capacity: 445 lb (200 kg)

Compatible with:  
Ice maker - ICH500

Dimensions:  
Length: 33.8" (86 cm)  
Width: 29.9" (76 cm)  
Height: 46.4" (118 cm)

Net weight: 85 lb (39 kg)

Shipping dimensions:  
Length: 36.4" (92 cm)  
Width: 32.4" (82 cm)  
Height: 43.3" (110 cm)

Gross weight: 97 lb (44 kg)

### Included accessories

- Ice scoop



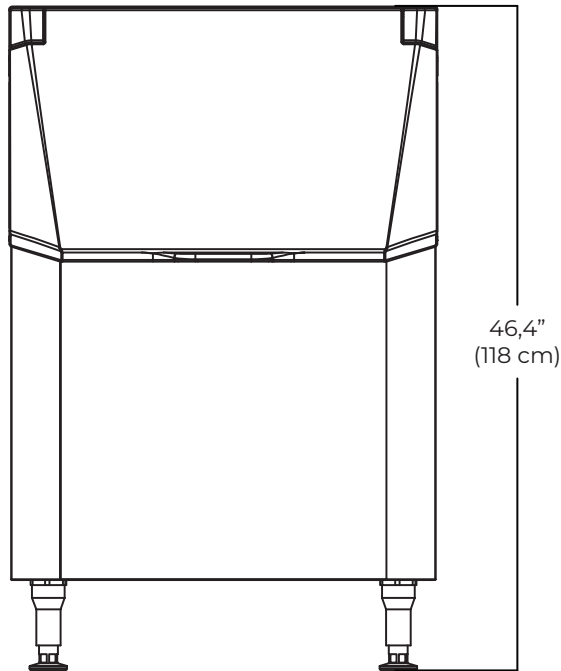
Intertek



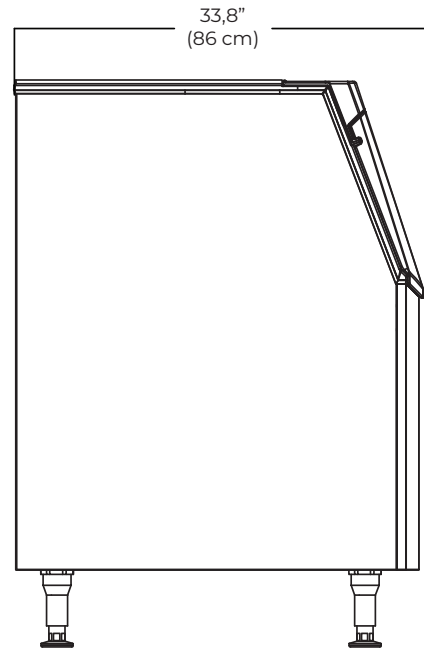


# IB445

## FRONTAL VIEW



## SIDE VIEW



## TOP VIEW

